

SAFETY ORGANIZATION(S):

THIS FILTER HAS BEEN FORMALLY RECOGNIZED, CERTIFIED OR APPROVED BY THE LISTED AGENCY. THEREFORE, ALL TEST/REQUIREMENTS SPECIFIED IN THE LATEST REVISION OF THE FOLLOWING AGENCY STANDARDS HAVE BEEN MET.

UL RECOGNIZED	UL 1283
CSA CERTIFIED	CSA 22-2, NO.0,0.4,8
VDE APPROVED	VDE 565-3, 625

OPERATING SPECIFICATIONS:

LINE VOLTAGE/CURRENT: 3 AMP.; 120/250 VAC
2 AMP./40°C, 250 VAC

LINE FREQUENCY: 50-60Hz

MAX. LEAKAGE CURRENT, EACH LINE TO GROUND: .3mA @ 120V 60Hz
.5mA @ 250V 50Hz

OPERATING AMBIENT TEMP. RANGE: -10°C TO +40°C @ RATED CURRENT, I_r

IN AN AMBIENT, T_a, HIGHER THAN 40°C, THE MAXIMUM OPERATING CURRENT, I_o, IS AS FOLLOWS:

$$I_o = I_r \sqrt{\frac{85 - T_a}{45}}$$

RELIABILITY SPECIFICATIONS:

STORAGE TEMPERATURE: -25°C TO +85°C

HUMIDITY: 21 DAYS @ 40°C 95% RH

CURRENT OVERLOAD TEST: 6 TIMES RATED CURRENT FOR 8 SECONDS

TEST SPECIFICATIONS:

INDUCTANCE: 13.77mH NOMINAL

CAPACITANCE: (MEASURED @ 1 KHz, 0.25 VAC MAX., 25°C ±1°C)

LINE TO GROUND: .004µF ±20%

LINE TO LINE: .74µF ±20%

DISCHARGE RESISTOR: 330kΩ

LINE/GROUND AND LINE/LINE: 6000 MΩ (MIN) AT 100 VDC

INSULATION RESISTANCE (W/O DISCHARGE RESISTOR): 20°C AND 50% RH

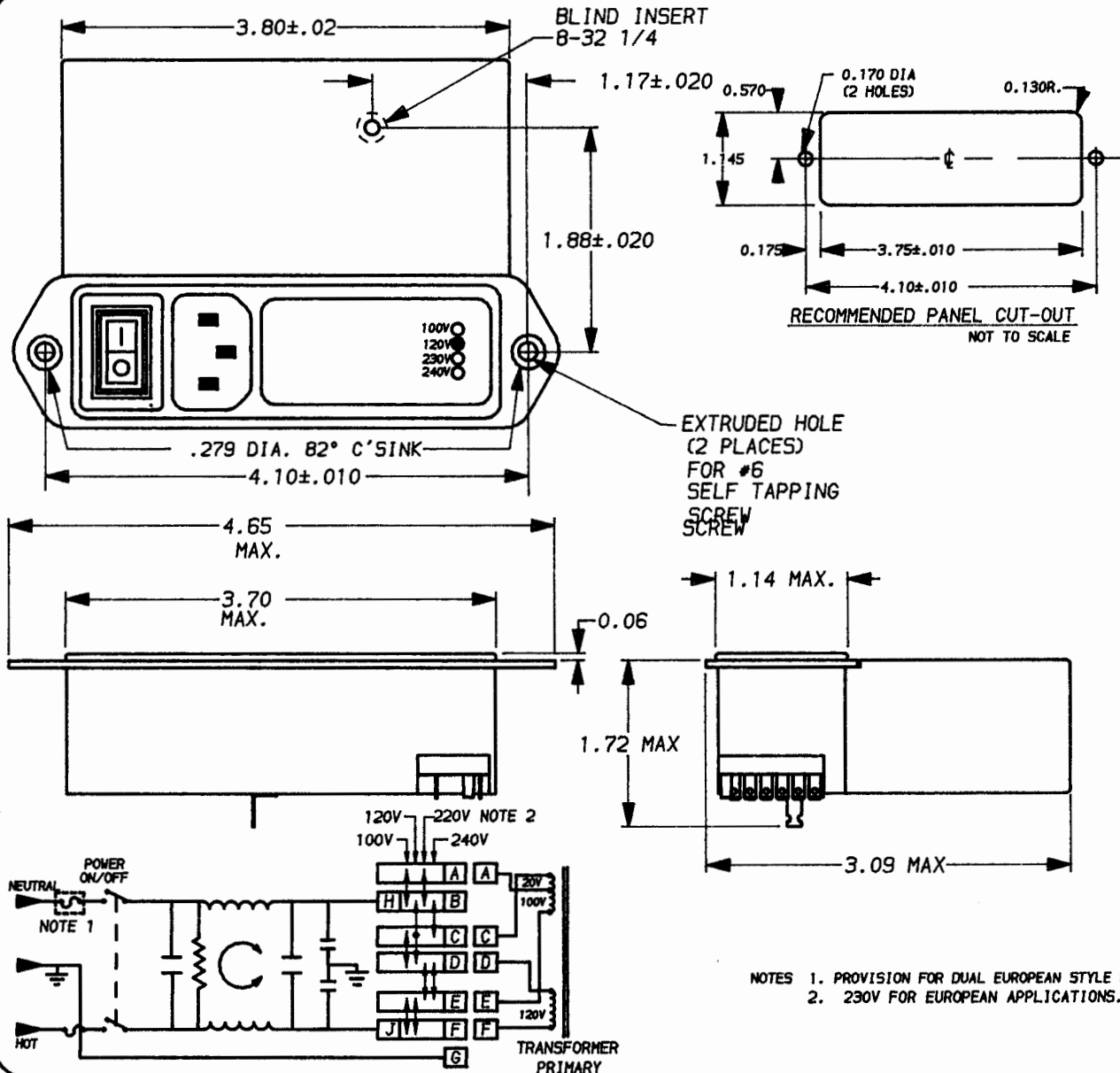
RECOMMENDED RECEIVING INSPECTION HIPOT:

LINES TO GROUND: 1500 VAC FOR 1 MINUTE

LINE TO LINE: 1450 VDC FOR 1 MINUTE

FILTER APPROVAL:

THE BEST WAY TO SELECT AND QUALIFY A FILTER IS FOR YOUR ENGINEERING TO TEST THE UNIT IN YOUR EQUIPMENT.



NOTES 1. PROVISION FOR DUAL EUROPEAN STYLE FUSING.
2. 230V FOR EUROPEAN APPLICATIONS.

50Ω - 50Ω (MINIMUM) INSERTION LOSS											
FREQUENCY MHz	.01	.02	.03	.05	.07	.15	.50	1.0	5	10	30
COMMON dB	15	21	25	29	32	39	46	43	40	40	40
DIFF. dB	—	5	13	28	37	55	75	75	62	54	44

UNLESS OTHERWISE SPECIFIED, TOLERANCE TO BE ±.025

MATERIAL & FINISH: AS SUPPLIED

This document is proprietary to CORCOM INC. and is not to be reproduced nor used for manufacturing purposes except on CORCOM'S prior written consent.

corcom
LIBERTYVILLE, IL 60048

POWER LINE FILTER

DATE: 4-18-94 CATALOG NO. 3EZM45 REV. 06

APPRVD. CAD NO. 3EZM45-06