

LightHAWK®2 Ultrasonic Wall Switch Sensor

WALL SWITCH OCCUPANCY SENSORS

TITLE
24
COMPLIANCE



Light HAWK®2



LHUSS1

PROJECT INFORMATION

Project Name

Catalog No.

Date

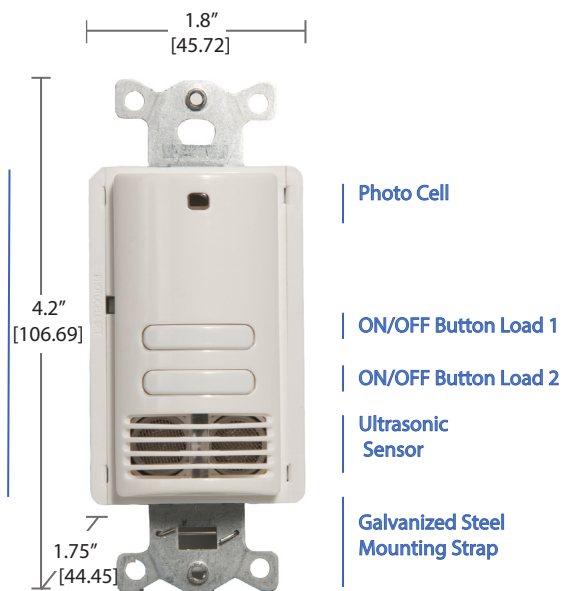
The *LightHAWK2* Ultrasonic Wall Switch Sensor uses ultrasonic (US) technology for detecting minor movement in areas with line-of-sight obstacles such as cubicles and stalls. Because ultrasonic technology is volumetric in nature, its coverage pattern can adapt itself to fill oddly shaped spaces such as alcoves, recesses, and nooks. This sensor has a coverage area of up to 400 square feet and 180° of detection.

LHUS sensors feature Hubbell Controls' patented IntelliDAPT® technology, which makes all the sensor adjustment decisions automatically. Throughout the product's lifespan, smart software analyzes the controlled area and makes digital adjustments to sensitivity and timer settings. Occupancy sensors with *IntelliDAPT* technology provide a maintenance-free install-and-forget operation. With selectable operating modes—automatic ON/OFF or manual ON/automatic OFF—and a built-in photosensor for automatic daylight harvesting, the LHUSS sensors are the most capable choice in today's market place.

PRODUCT FEATURES

- Digital Ultrasonic (US) sensor
- *IntelliDAPT* self-adaptive technology—no manual adjustment required
- Dual circuit has isolated relays
- Occupancy (auto-on) and Vacancy (manual-on) operating modes
- Available with or without Neutral
- 400 square-foot, 180° coverage area
- 120/277VAC operation
- No minimum load requirement
- Zero Arc Point Switching
- Five-year limited warranty
- 120-277 Vac and 347 Vac models
- Low voltage device: 24 Vdc

Fits Standard
Decorator Style
Wallplate
(sold separately)



LHDCUSD2

General Specifications

IntelliDAPT® Technology	Self-adjusting timer Self-adjusting ultrasonic (US) sensitivity Automatic false-on/false-off corrections No manual adjustments required
Time Delay	Auto mode: 4–30 minutes; self-adjusts based on occupancy Fixed mode: 4, 8, 15, and 30 minutes Test mode: 5 seconds
Ultrasonic (US) Output	40kHz output
Photocell	Natural light override range: 10–500 foot-candles
Coverage	400 square-foot, 180° coverage area
Power Requirements	120/277VAC; 50/60Hz 347VAC; 50/60Hz 24VDC (requires UVPP)
Electrical Ratings	120VAC: 800W Incandescent/ Electronic Ballast/ LED Driver 1,000W Magnetic Ballast 1/6 HP Motor 277VAC: 1,800W Magnetic Ballast /Electronic Ballast/ LED Driver; 1/6 HP Motor 347VAC: 1,500W Magnetic Ballast /Electronic Ballast/ LED Driver 1/6 HP Motor Minimum Load Requirements None
Operating Environment	Indoor use only Operating temperature: 32° to 104°F (0° to 40°C) Relative humidity (non-condensing): 0% to 95%
Construction	Casing—high-impact injection-molded plastic (UL-94-5V) Color-coded leads are 6" long (152.4mm) Wrap-around galvanized steel mounting strap
Dimensions	4.2" H x 1.8" W x 1.75" D ; .37" extension (106.68mm H x 45.72mm W x 44.45mm D; 9.40mm ext)
Weight	2.9 oz (82.21g)
Color	White; Ivory; Light Almond; Gray; Black
Mounting	Single-gang NEMA-style switch box (standard switch box) Decorator-style wall plate sold separately
Certifications	Listed UL, cUL
Warranty	Five-year limited

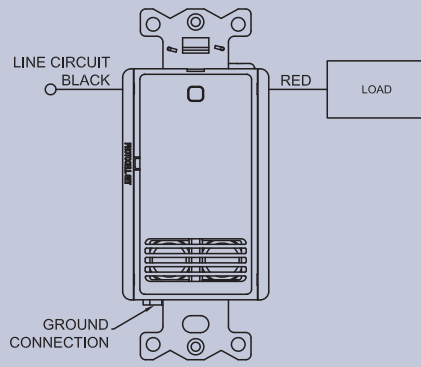
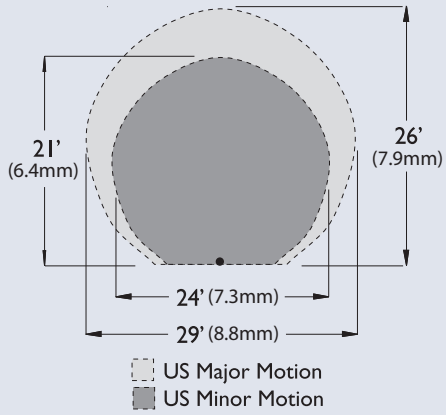
Ordering Information

MODEL		BUTTONS	WIRING	COLOR	MODE
LHUSS	LightHAWK®2 Ultrasonic Single Relay	0	G Ground (120/277V)	WH White	(Blank) Switchable Vacancy or Occupancy Mode
LHDCUSD	LightHAWK2 Ultrasonic Dual Isolated Relay	1*	N Neutral (120/277V)	IV Ivory	M Vacancy Mode Only
		2†	24V Low Voltage	LA Light Almond	
			G347 Ground (347V)	GY Gray	
			N347 Neutral (347V)	BK Black	

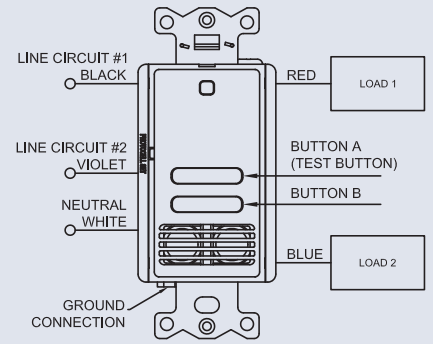
NOTE: * Only available with LightHAWK2 Ultrasonic Single Relay.

† Only available with LightHAWK2 Ultrasonic Dual Relay.

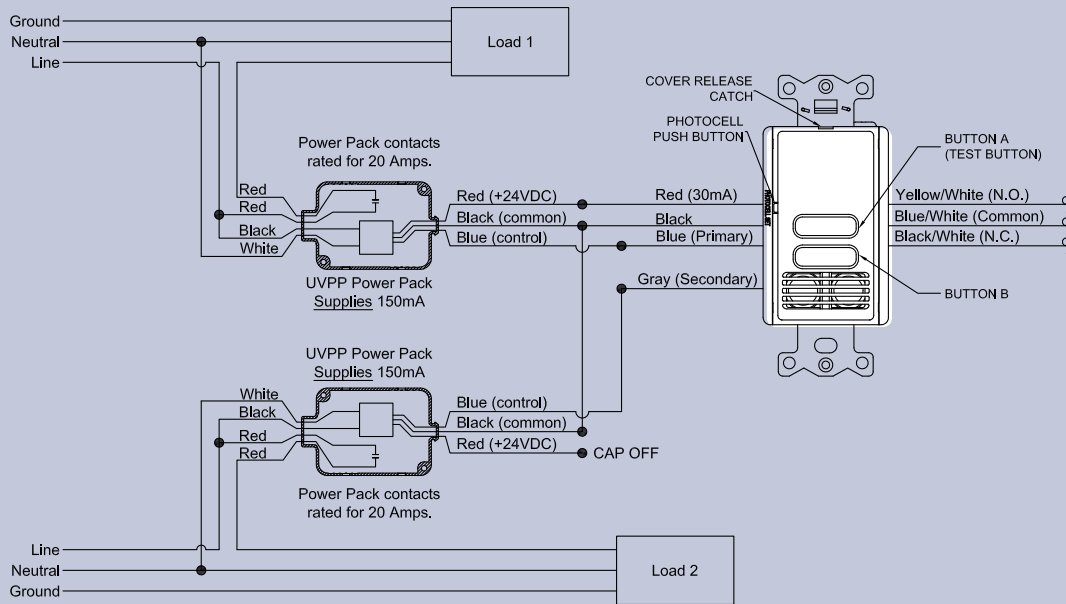
- Low voltage sensors require a power pack that is sold separately.



Single Load Wiring Without Neutral



Dual Load Wiring With Neutral



Low Voltage Dual Level Control with Two Power Packs