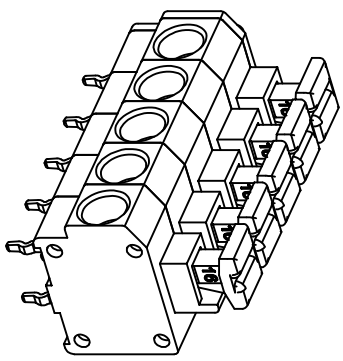
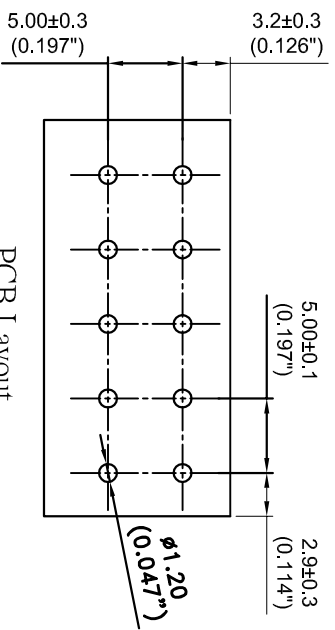
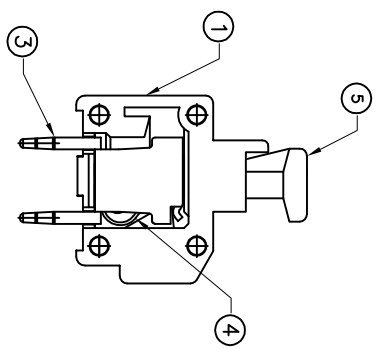
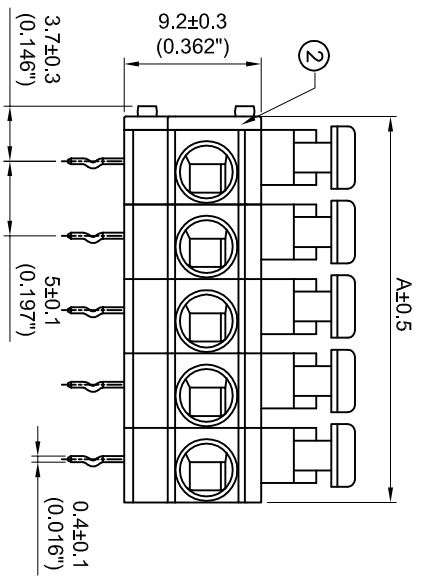
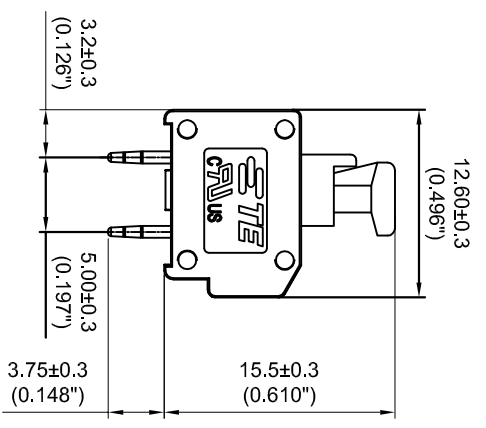


REV	DATE	DM	APPROVED BY
1	24/02/2015	SJA	SJA



NOTES :

- 1. MATERIALS AND FINISH:
 - HOUSING: PA66
 - CONTACTS: COPPER, FINISH: TIN OVER NICKEL UNDERPLATE
- 2. MUST COMPLY WITH DIRECTIVE 2002/95/EC (ROHS)
- 3. WIRE TYPES AND SIZES ACCEPTED
 - WIRE RANGE: 14AWG~20AWG.
 - STRIP LENGTH: 9.0mm~10.0mm
- 4. PACKAGED IN TRAY.
- 5. CURRENT RATING: 10Amp AC300V.
- 6. OPERATION TEMPERATURE: -40°C TO +105°C
- 7. THIS PART NO. IS THE SAME STRUCTURE AS THE SERIES: 2834095
- 8. THE DATASHEET AND MORE DETAILS PLEASE FOLLOW THE SERIES: 2834095

⑤ LEVER	④ WIRE PROTECTOR	③ CONTACT	② COVER	① HOUSING
40.90	8 POSN	2834095-7		
35.90	7 POSN	2834095-6		
30.90	6 POSN	2834095-5		
25.90	5 POSN	2834095-4		
20.90	4 POSN	2834095-3		
15.90	3 POSN	2834095-2		
10.90	2 POSN	2834095-1		

THIS DRAWING IS A CONTROLLED DOCUMENT.

DATE: 24/02/2015

DM: SJA

APPROVED BY: SJA

SCALE: 1:1

SHEET: 1 OF 1

REV: A

STE TE Connectivity

5.0 Horizontal Entry Screwless Connector

2834095