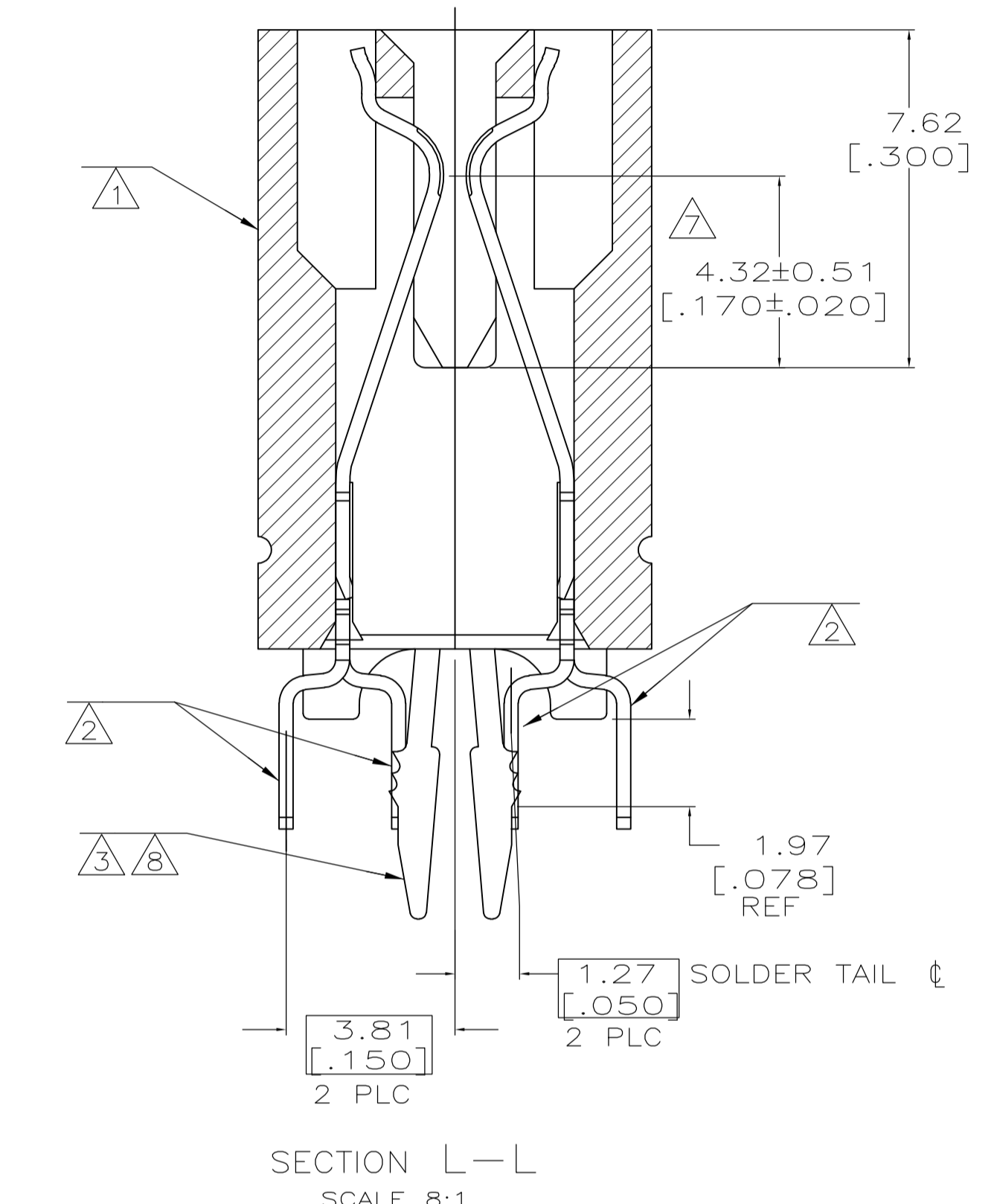
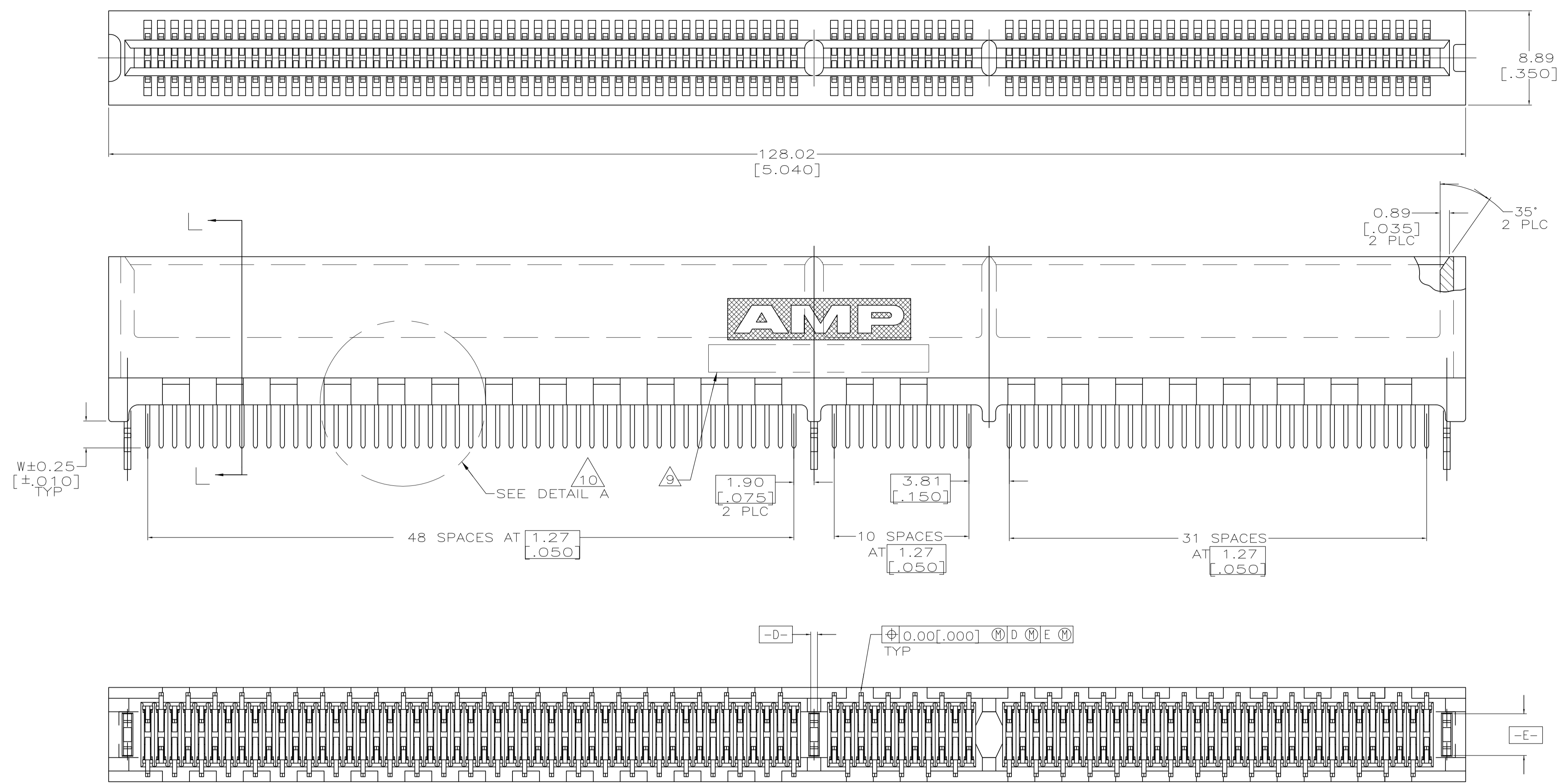
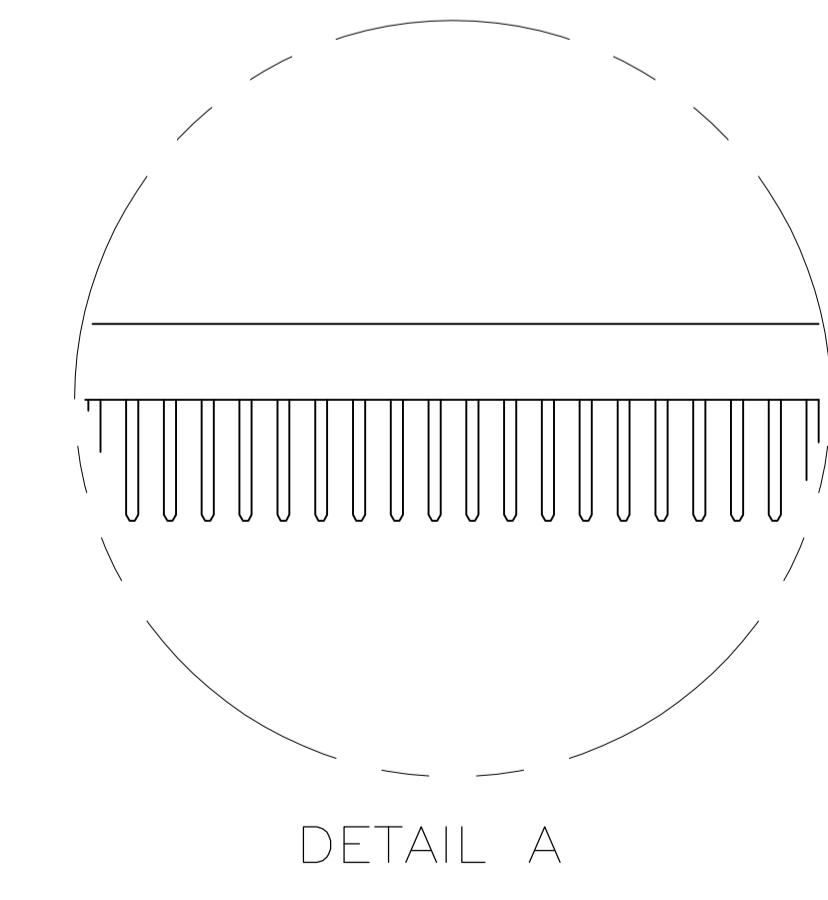


LOC		DIST		REVISIONS			
F	LTR	DESCRIPTION	DATE	DMN	APVD		
H		ECO-06-010778	12AUG06	LAM	AWF		
H1		REVISED PER ECO-09-021826	11SEP09	KK	AEC		



SEE SHEET 2 FOR HOLE PATTERN

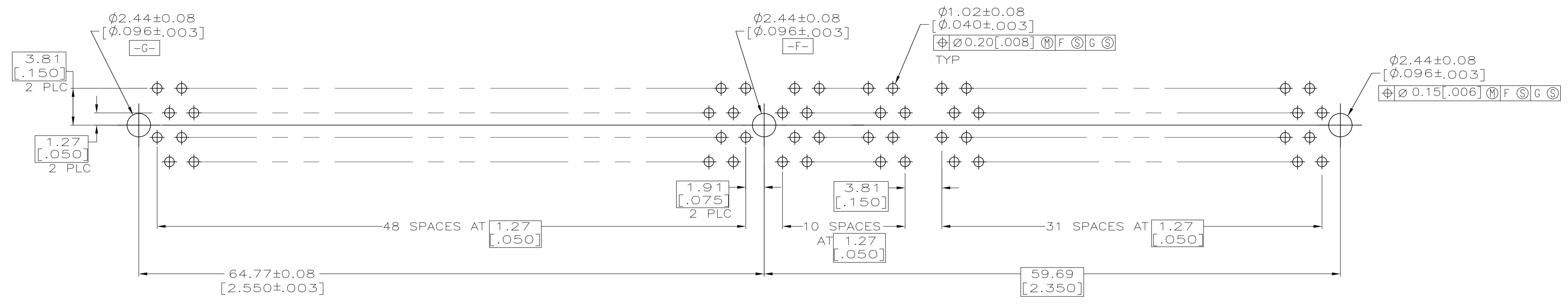


- 1 HOUSING: HIGH TEMPERATURE THERMOPLASTIC. COLOR - NATURAL
- 2 CONTACT: PHOSPHOR BRONZE.
- 3 METAL HOLD DOWN: BRASS
- 4 CONTACT FINISH: .001269[.000050] MIN NICKEL ALL OVER. GOLD FLASH OVER NICKEL IN CONTACT AREA. .002537[.000100] MIN TIN-LEAD OVER NICKEL ON SOLDER TAILS.
- 5 CONTACT FINISH: .001269[.000050] MIN NICKEL ALL OVER. .000375[.000015] GOLD OVER NICKEL IN CONTACT AREA. .002537[.000100] MIN TIN-LEAD OVER NICKEL ON SOLDER TAILS.
- 6 CONTACT FINISH: .001269[.000050] MIN NICKEL ALL OVER. .000757[.000030] GOLD OVER NICKEL IN CONTACT AREA. .002537[.000100] MIN TIN-LEAD OVER NICKEL ON SOLDER TAILS.
- 7 DISTANCE FROM CONTACT POINT TO BOTTOM OF CARD SLOT.
- 8 METAL HOLD DOWN FINISH: .001269[.000050] MIN NICKEL ALL OVER, .003809[.000150] MIN TIN-LEAD ALL OVER.
- 9 AMP PART NUMBER, DATE CODE AND CSA LOGO MARKED IN APPROXIMATE LOCATION SHOWN.
- 10 CORED OR SOLID SIDE WALLS ARE AT DISCRETION OF AMP INCORPORATED.
- 11 OBSOLETE PARTS: OBSOLETE CIS STREAMLINING PER D.RENAUD/D.SINISI

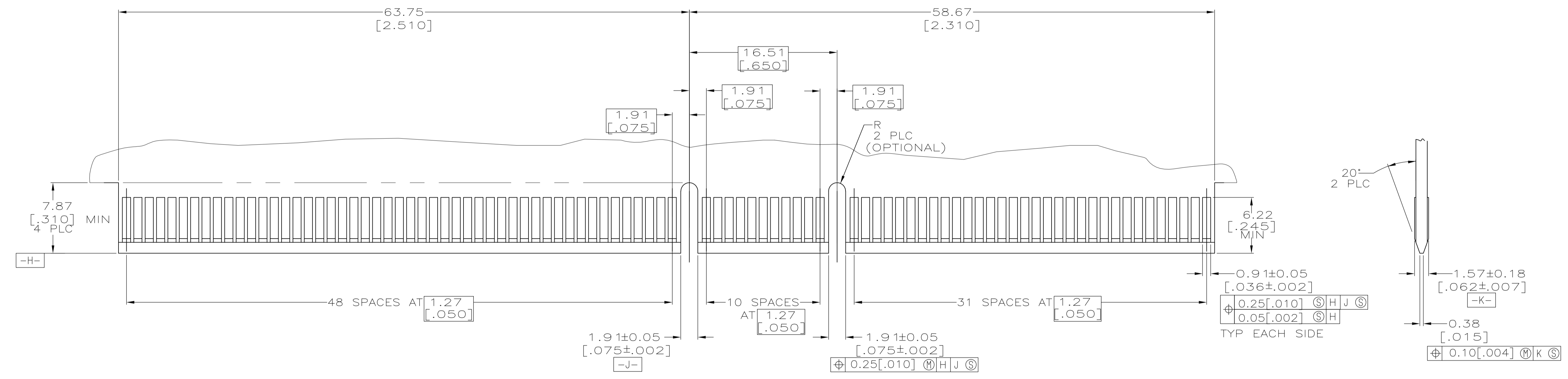
	3.56 [.140]	1-145169-2
SUPERSEDED BY 5145169-8	3.18 [.125]	145169-8
	2.54 [.100]	145169-4
OBSOLETE	2.54 [.100]	145169-3
	2.54 [.100]	145169-2
OBSOLETE	2.54 [.100]	145169-1
	W	FINISH
		PART NUMBER

THIS DRAWING IS A CONTROLLED DOCUMENT.

DIMENSIONS: mm	TOLERANCES UNLESS OTHERWISE SPECIFIED:	DIN R BROWN 6/12/95	6/12/95	Tyco Electronics Corporation Harrisburg, Pa 17105-3608
0 PLC ± -	1 PLC ± -	2 PLC ± .01	3 PLC ± .005	4 PLC ANGLES ± ±
MATERIAL	FINISH	APVD	NAME	RESTRICTED TO
		M BOWERS	M BOWERS	
			PRODUCT SPEC 108-14034	
			APPLICATION SPEC 114-26012	
			SIZE	CAGE CODE
			A1	00779
			WEIGHT	145169
			CUSTOMER DRAWING	SCALE 4:1 SHEET 1 OF 2 REV H1



RECOMMENDED CONNECTOR MOUNTING HOLE PATTERN
(CONNECTOR SIDE SHOWN)



RECOMMENDED MATING BOARD EDGE CONFIGURATION

THIS DRAWING IS A CONTROLLED DOCUMENT.		DIN R BROWN 6/12/95	Tyco Electronics Corporation Harrisburg, Pa 17105-3608
DIMENSIONS: mm		CHK M BOWERS 6/12/95	
TOLERANCES UNLESS OTHERWISE SPECIFIED:		APVD	NAME
0 PLC ± - 1 PLC ± - 2 PLC ± .01 3 PLC ± .005 4 PLC ± - ANGLES ± - FINISH SEE SHEET 1		PRODUCT SPEC 108-14034 APPLICATION SPEC 114-26012 WEIGHT - CUSTOMER DRAWING	CONNECTOR ASSEMBLY, 92 DUAL POSITION, .050 SERIES, STANDARD EDGE
MATERIAL SEE SHEET 1		SIZE 114-26012	RESTRICTED TO
		SCALE 4:1	SHEET 2 OF 2
		DRAWING NO. 00779	REV H1