

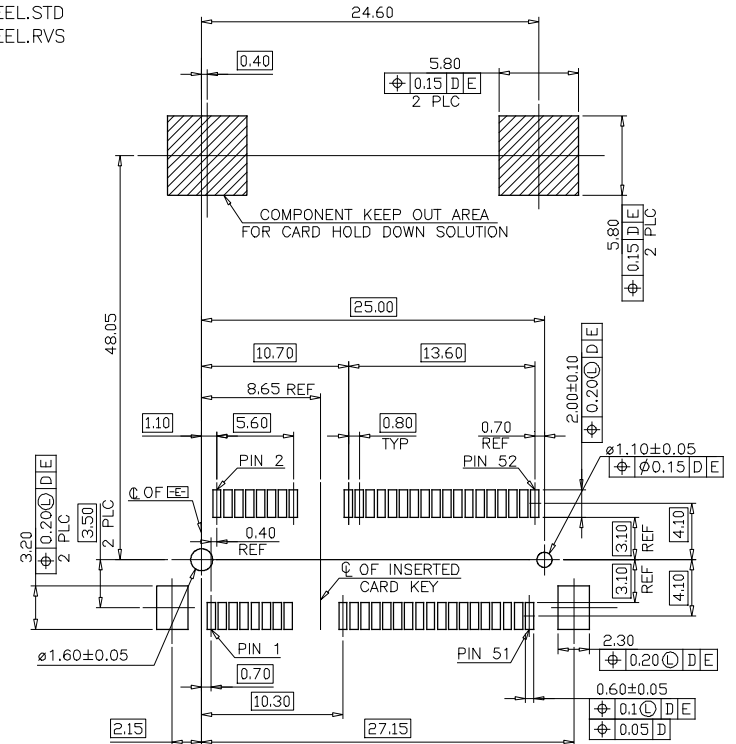
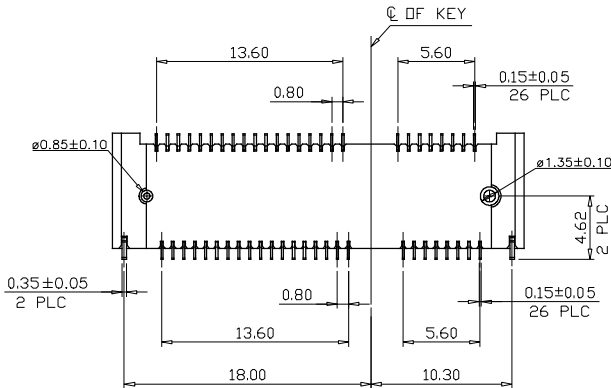
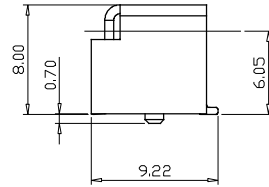
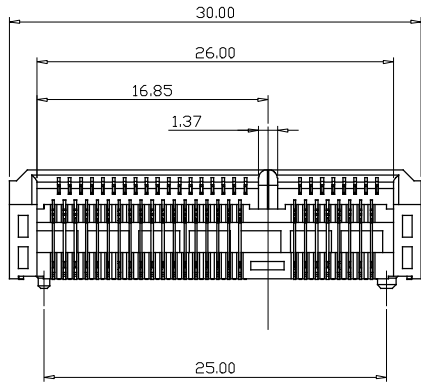
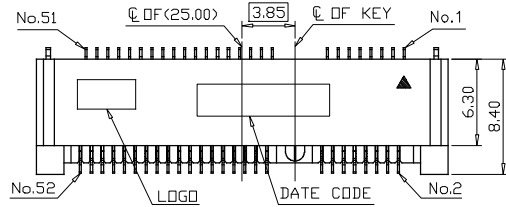
PRODUCT NUMBER
10123909-XXXLF

MATERIAL
HOUSING : THERMO PLASTIC UL94V-0 BLACK
CONTACT : COPPER ALLOY
PEG : COPPER ALLOY

PART NO. SCHEMATIC: 10123909 - XX X LF

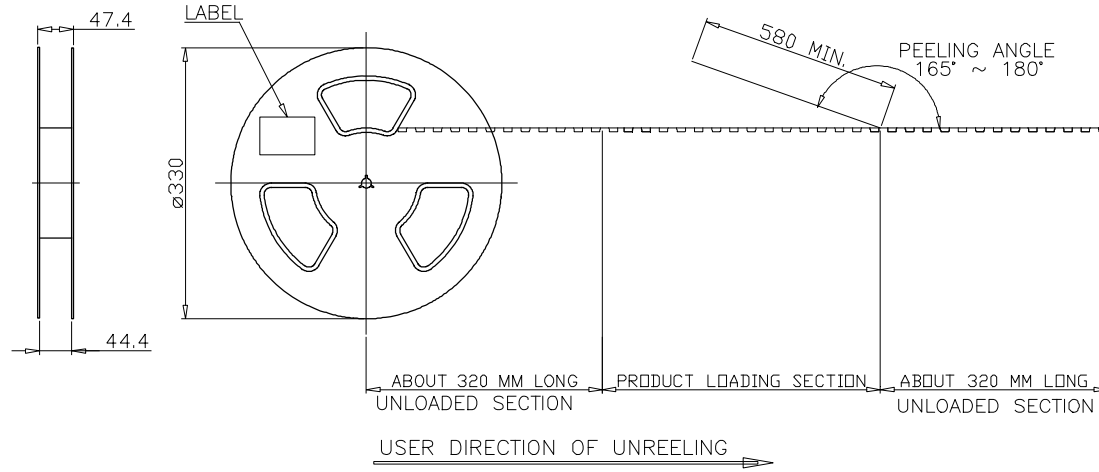
TERMINAL PLATING _____ PACKING _____
00: NO PLATING 0: TAPE&REEL.STD
G2: GOLD FLASH 1~3μ^m OVER Ni 50~100μ^m 1: TAPE&REEL.RVS
A2: CONTACT AREA AND SOLDER AREA :
SELECTION GOLD 1μ^m OVER Ni 50~100μ^m
A7: CONTACT AND SOLDER TAIL AREA GOLD PLATING
10μ^m MIN OVER Ni 50~100μ^m
S7: CONTACT AREA GOLD PLATING
10μ^m MIN AND SOLDER TAIL PLANTING 1μ^m min
OVER Ni 50~100μ^m

PRODUCT SPEC.: GS-12-1111
PACKAGE SPEC.: GS-14-2284
THIS PRODUCT MEETS EUROPEAN UNION DIRECTIVES AND
OTHER COUNTRY REGULATIONS AS DESCRIBED IN GS-47-0004
THE HOUSING WILL WITHSTAND EXPOSURE TO 260°C PEAK
TEMPERATURE FOR 10 SECONDS IN A CONVECTION, IR OR
VAPER PHASE REFLOW OVEN.



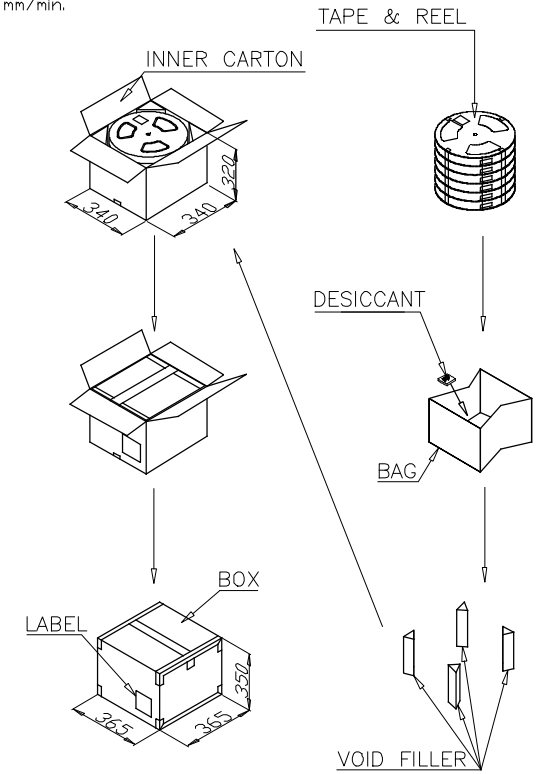
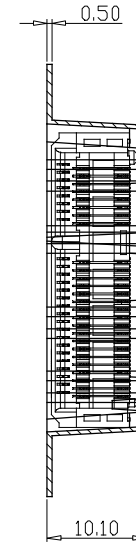
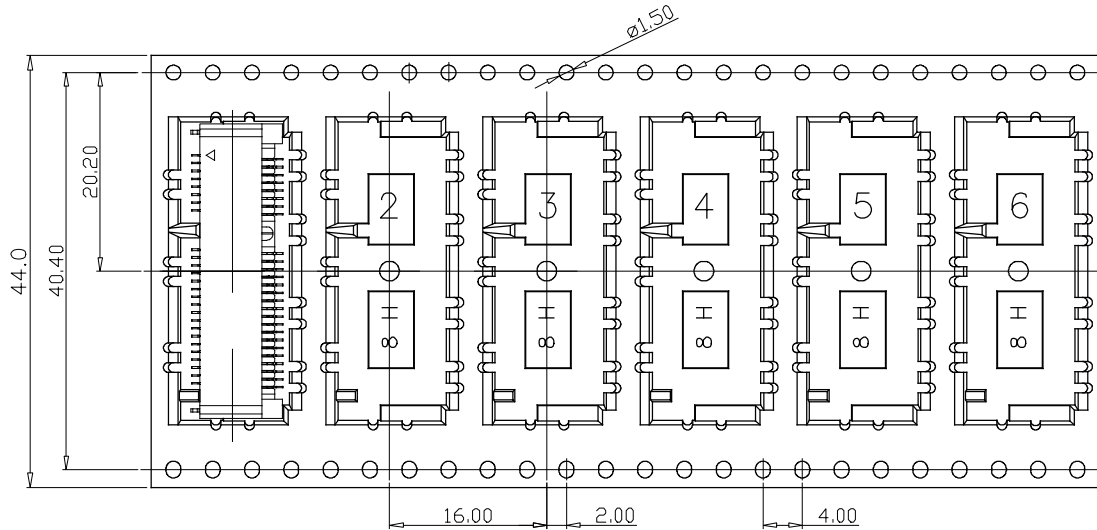
-D- IS THE TOP SURFACE OF PCB
RECOMMENDED P.C.BOARD PATTERN LAYOUT

mat'l. code		surface		tolerance ASME Y14.5		projection		product family	
ltr	ecn no	dr	date	tolerances unless otherwise specified		MM		title	
A		TAI	2013-01-18	angles	X.X ± 0.30	← MM →		0.80MM PITCH MINI PCI EXPRESS HIGH=8.0mm 52 PIN CONNECTOR	
				flatness	X.XX ± 0.20	scale		dwg no	
				X*4'	X.XXX ± 0.15			sheet 1 of 3 size	
				dr	KENNY TAI 2013-01-18			A4	
				enr	KENNY TAI 2013-01-18			10123909	
				chr	KENNY TAI 2013-01-18			CUSTOMER Drawing	
				appd	PM ZHENG 2013-01-18			type	
sheet index	revision sheet	A	A	A	3				

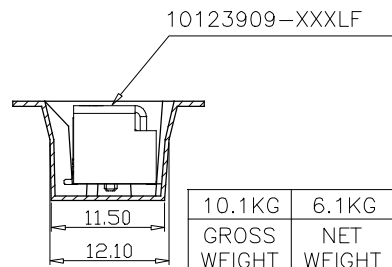


NOTES:

1. MATERIAL:
 BOX: FIBREBOARD, CORRUGATED, DOUBLE WALL.
 COVER TAPE: PET, 120°C HEAT-RESISTANT TEMPERATURE, TRANSPARENT COLOR.
 CARRIER TAPE: POLYSTYRENES, 120°C HEAT-RESISTANT TEMPERATURE, TRANSPARENT COLOR.
 REEL: HIPS, 70°C HEAT-RESISTANT TEMPERATURE, BLUE COLOR.
 BAG: POLYETHYLENES, 100°C HEAT-RESISTANT TEMPERATURE, TRANSPARENT COLOR.
2. EACH BAG SHALL BE INCLUDED DESICCANT.
3. PEELING STRENGTH: 0.1 ~ 1.3 N (10 ~ 130 GRAMS).
4. PEELING SPEED: 300 mm/min.

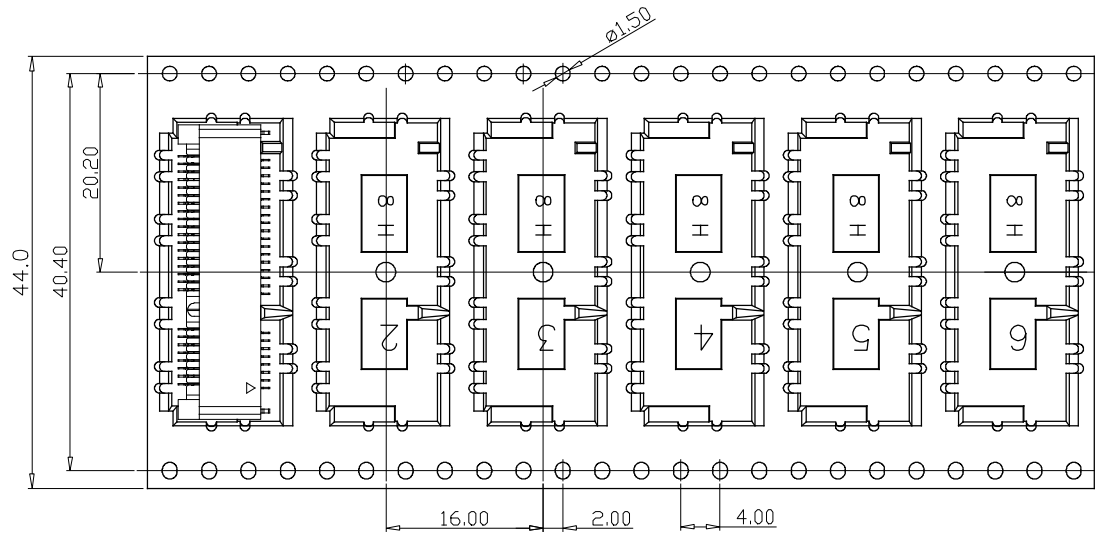
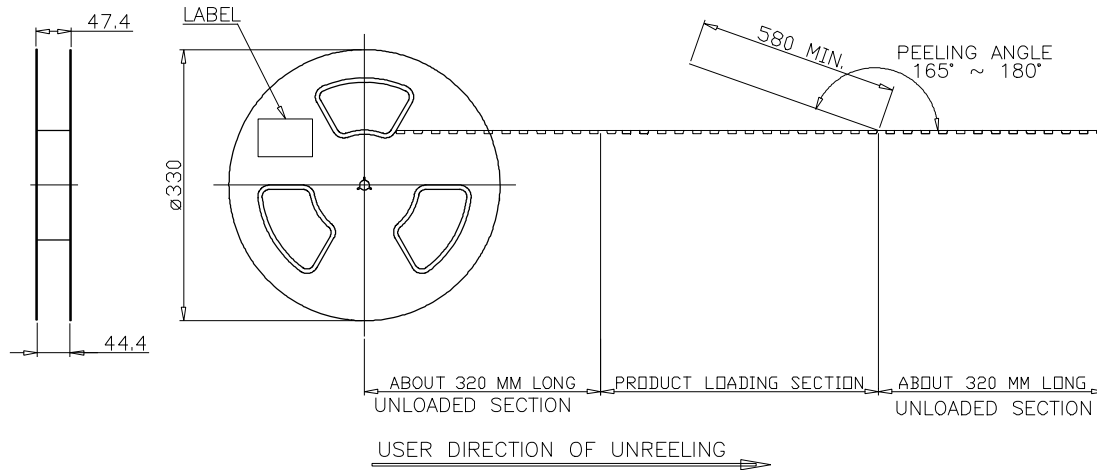


STANDARD TAPE & REEL
(FOR -XXOLF)



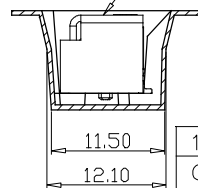
10.1KG	6.1KG	400	6	2400
GROSS WEIGHT	NET WEIGHT	PCS/ REEL	REEL/ BOX	PCS/ BOX

mat'l. code		surface		tolerance <input checked="" type="checkbox"/> ASME Y14.5		projection		product family	
ltr	ecn no	dr	date	tolerances unless otherwise specified		MM		title	
A		TAI	2013-01-18	angles	X.X ± 0.30	MM		0.80MM PITCH MINI PCI EXPRESS HIGH=8.0mm 52 PIN CONNECTOR	
				flatness	X.XX ± 0.20	scale		dwg no	
				total run out	X.XXX ± 0.15	FCI		sheet 2 of 3 size	
								10123909 A4	
				dr	KENNY TAI			type	
				enr	KENNY TAI			CUSTOMER Drawing	
				chr	KENNY TAI				
				appd	PM ZHENG				
sheet index	revision sheet	A	A	A					
		1	2	3					



REVERSE TAPE & REEL
(FOR -XX1LF)

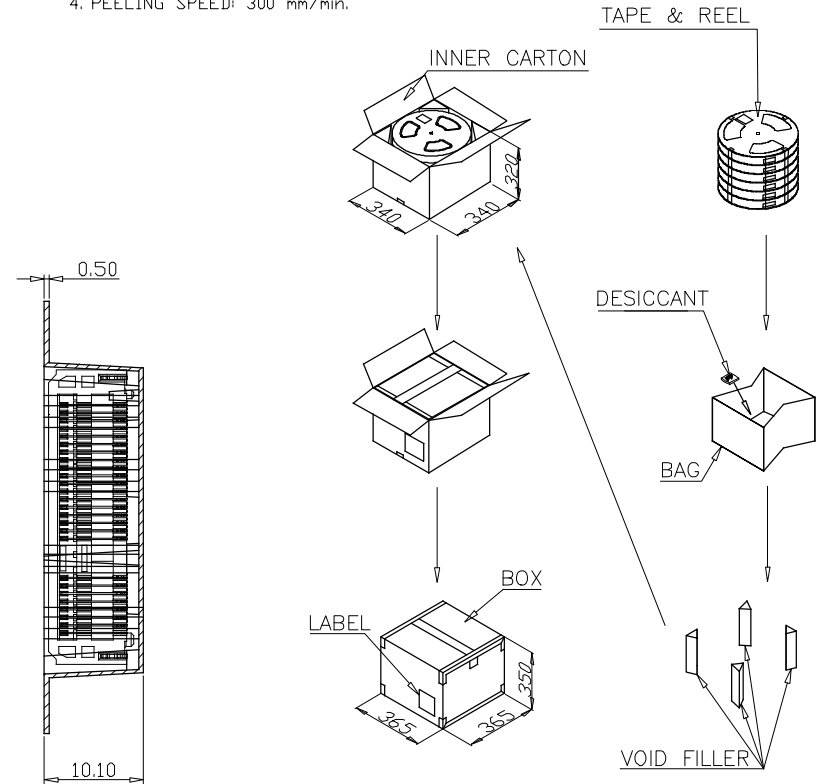
10123909-XXXLF



10.1KG	6.1KG	400	6	2400
GROSS WEIGHT	NET WEIGHT	PCS/ REEL	REEL/ BOX	PCS/ BOX

NOTES:

- MATERIAL:
BOX: FIBREBOARD, CORRUGATED, DOUBLE WALL.
COVER TAPE: PET, 120C° HEAT-RESISTANT TEMPERATURE, TRANSPARENT COLOR.
CARRIER TAPE: POLYSTYRENES, 120C° HEAT-RESISTANT TEMPERATURE, TRANSPARENT COLOR.
REEL: HIPS, 70C° HEAT-RESISTANT TEMPERATURE, BLUE COLOR.
BAG: POLYETHYLENES, 100C° HEAT-RESISTANT TEMPERATURE, TRANSPARENT COLOR.
- EACH BAG SHALL BE INCLUDED DESICCANT.
- PEELING STRENGTH: 0.1 ~ 1.3 N (<10 ~ 130 GRAMS).
- PEELING SPEED: 300 mm/min.



mat'l. code		surface		tolerance ASME Y14.5		projection		product family	
ltr	ecn no	dr	date	tolerances unless otherwise specified		MM		title	
A		TAI	2013-01-18	angles	0.30	MM		0.80MM PITCH MINI PCI EXPRESS HIGH=8.0mm 52 PIN CONNECTOR	
				0.20	0.15	scale		dwg no	
				X*±4°				sheet 3 of 3 size	
				dr	KENNY TAI	2013-01-18		A4	
				enr	KENNY TAI	2013-01-18		10123909	
				chr	KENNY TAI	2013-01-18		type	
				appd	PM ZHENG	2013-01-18		CUSTOMER Drawing	
sheet index	revision sheet	A	A	A	A	3			