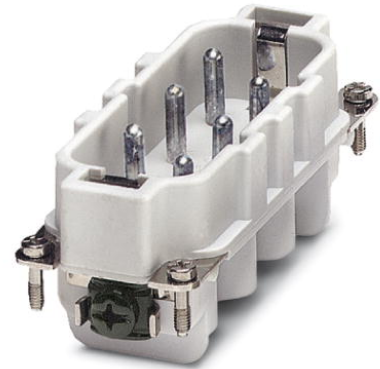


HC-HSB6-ESTS

Order No.: 1773129

<http://eshop.phoenixcontact.de/phoenix/treeViewClick.do?UID=1773129>

HEAVYCON male insert, HS6 series, 6-pos., screw connection

Commercial data

EAN	4017918037635
Pack	10 pcs.
Customs tariff	85366990
Weight/Piece	0.09736 KG
Catalog page information	Page 445 (PC-2009)

Product notesWEEE/RoHS-compliant since:
03/01/2006

<http://www.download.phoenixcontact.com>
Please note that the data given here has been taken from the online catalog. For comprehensive information and data, please refer to the user documentation. The General Terms and Conditions of Use apply to Internet downloads.

Technical data**General data**

Note	For housing HC-B16
Connection method	Screw connection
Tightening torque	1.2 Nm
Ambient temperature (operation)	-40 °C ... 125 °C (including heating up of contacts)
Pollution degree	3

Surge voltage category	III
Constructional and testing regulations	DIN VDE 0627/86
	DIN VDE 0110/02.79
	DIN VDE 0110-1/04.97
	IEC 60664-1, DIN IEC 60512
Number of positions	6
Insertion/withdrawal cycles	≥ 500
Design	HS6
Connection in acc. with standard	IEC / EN
Conductor cross section	0.5 mm ² ... 6 mm ²
Connection cross section AWG	20 ... 10
Stripping length of the individual wire	10 mm
Assembly instructions	Connectors may be operated only when there is no load/voltage.

Material data

Inflammability class acc. to UL 94	V0
Contact material	Copper alloy
Contact surface material	Ag
Contact carrier material	PA

Electrical characteristics

Rated voltage (III/3)	500 V
Rated surge voltage	6 kV
Rated current	35 A

Certificates / Approvals



Certification CSA, GOST, UL

CSA

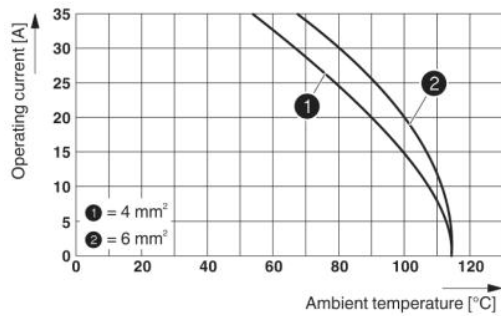
Nominal voltage U _N	600 V
Nominal current I _N	35 A
AWG/kcmil	20-10

UL

Nominal voltage U_N	600 V
Nominal current I_N	35 A
AWG/kcmil	10

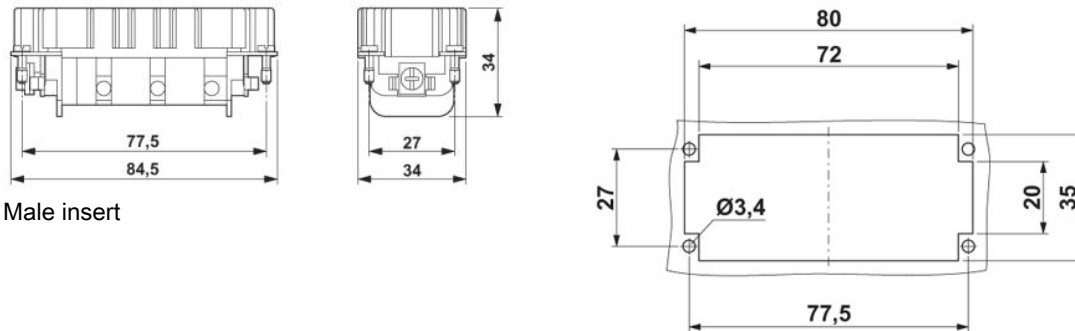
Diagrams/Drawings

Diagram



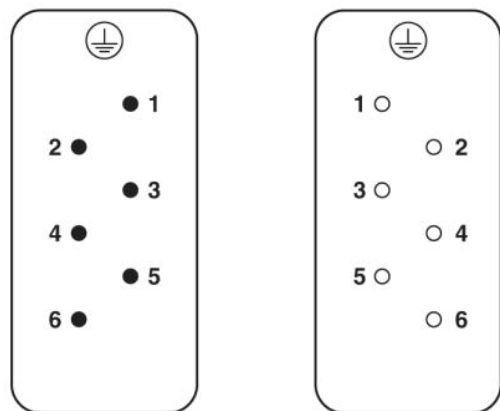
Derating diagram: HC-HS...S series

Dimensioned drawing



Male insert

Schematic diagram



Address

PHOENIX CONTACT Inc., USA
586 Fulling Mill Road
Middletown, PA 17057, USA
Phone (800) 888-7388
Fax (717) 944-1625
<http://www.phoenixcon.com>



© 2010 Phoenix Contact
Technical modifications reserved;